



Sizing Form for Wastewater Treatment Systems



Contact

name _____

country _____

phone / fax _____

email _____

street _____

project _____

post code/city _____

date _____

Requested GRAF product (circle one):

KLARO-up to 27,000 LPD

One2Clean -up to 2,700 LPD

Wastewater Characteristic

Water quantity: _____ m³/d

BOD₅ load: _____ mg/l

COD load: _____ mg/l

Treatment Quality, Required Discharge Values

BOD₅: _____ mg/l _____ %

COD: _____ mg/l _____ %

NH₄-N: _____ mg/l _____ %

N_{tot}: _____ mg/l _____ %

Phosphate: _____ mg/l _____ %

UV disinfection needed yes no

Completed Forms

Mail to:
info@barrplastics.com

OR

Fax to:
604.852.8022



1. Retrofitting

Parameters to adjust an existing tank

1.1 Pipe connection

Existing In-/Outlet diameter _____ / _____

1.2. Reservoir

No. of reservoirs _____

age _____ years

material (concrete/plastic) _____

round reservoir

∅: _____ m

water level: _____ m

baffle height: _____ m

baffle thickness: _____ cm

rectangular reservoir

length: _____ m

width: _____ m

water level: _____ m

baffle height: _____ m

baffle thickness: _____ cm

reservoir separation

not divided

2-chamber

3-chamber

4-chamber

2. Specifics on Site

2.1. Tank cover

pedestrian loading

vehicle loading

lorry loading

2.2. Infiltration

yes no

2.3. Available area for the treatment plant (optional infiltration)

_____ x _____ m
(length x width)

2.4. cabinet type

internal cabinet external cabinet

distance between cabinet and WWTP: _____ m

+D for denitrification

+K convenience package with underload recognition)

+R remote transmission (GSM-modem)

2.5. Climate:

hottest temperature _____ °C / _____ F

coldest temperature _____ °C / _____ F



Continued



3. Sizing parameter for wastewater treatment plant

3.1. Residential objects

max: _____ inhabitants _____ inhabitants
 Ø

3.2. Gastronomical objects

accommodation _____ No. of beds
camping site _____ No. of pitches
 or _____ No. of persons Ø / max
restaurants _____ No. of seats¹
club house _____ No. of seats¹
sports fields _____ visitor
existing kitchen _____ yes no
oil & grease separator _____ existing needed

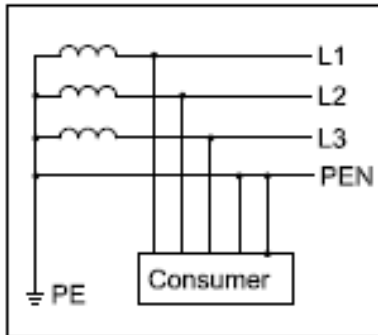
3.3. Industrial objects

office building _____ employees
factory _____ employees

¹frequency: weak (every seat in use 1 time / day), middle(2-3 times / day) and strong (4-6 times / day)

4. Notes

Please state available low voltage connection type to configure the electricity and control cabinet for your chosen type of electricity supply. For domestic dimensions, please fill in the bold information. In case of bigger dimensions, please fill in all info for your chosen type of electricity supply.

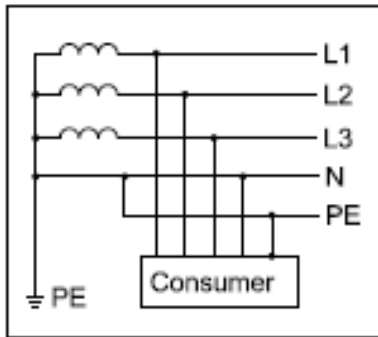


TN-C System Current

L1 - L2: _____ V
Same for L1 - L3 and L2 - L3

L1 - PEN: _____ V

Frequency: _____ Hz

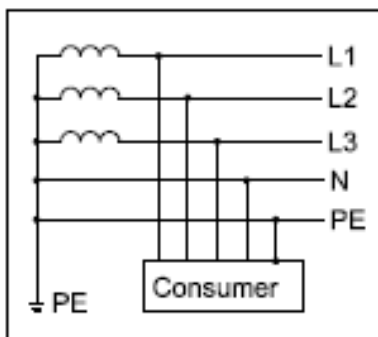


TN-C-S System Current

L1 - L2: _____ V
Same for L1 - L3 and L2 - L3

L1 - PEN: _____ V

Frequency: _____ Hz

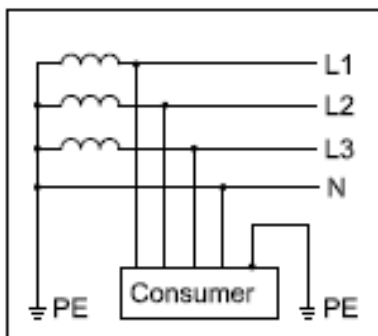


TN-S System Current

L1 - L2: _____ V
Same for L1 - L3 and L2 - L3

L1 - PEN: _____ V

Frequency: _____ Hz



TT System Current

L1 - L2: _____ V
Same for L1 - L3 and L2 - L3

L1 - PEN: _____ V

Frequency: _____ Hz