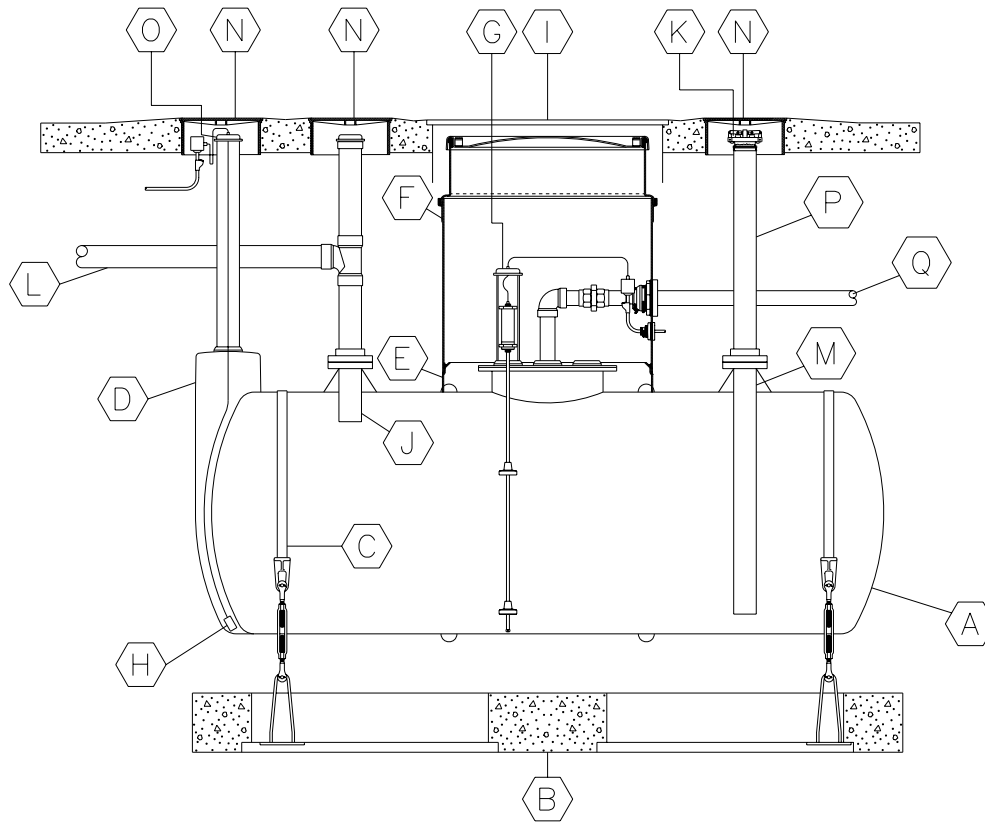




ITEM	QTY	EQUIPMENT LISTING	ITEM	QTY	EQUIPMENT LISTING
A	1	DOUBLE WALL FIBERGLASS STORAGE TANK	K	1*	FILL CAP & ADAPTER
B	-	ZCL PRECAST CONCRETE DEADMEN SYSTEM	L	1*	SCH 80 PVC INLET PIPING WITH SANITARY TEE, CAP & ADAPTER
C	-	FIBERGLASS HOLD DOWN STRAP WITH TURNBUCKLE ASSY.	M	1	4"DIA FLANGED & GUSSETED DOWN PIPE PUMPOUT NOZZLE
D	1	DRY MONITORING SYSTEM	N	3*	SMALL ROUND MANHOLE
E	1	42"DIA SW FIBERGLASS CONTAINMENT COLLAR	O	1*	4" SENSOR CAP
F	1	42"DIA FIBERGLASS ROUND SW CONTAINMENT SUMP WITH 39"DIA WATERTIGHT TOP	P	1*	SCH 80 PVC PIPE WITH FLANGED ADAPTER
G	1*	LEVEL PROBE	Q	1*	SINGLE WALL VENT PIPING
H	1*	DRY MONITOR SENSOR			
I	1*	LARGE ROUND MANHOLE			
J	1	4"DIA FLANGED & GUSSETED INLET NOZZLE			

NOTE: * SUPPLIED BY OTHERS



INDUSTRIAL WASTEWATER	
<small>This drawing is for illustrative purposes only. Consult with an engineer for specific applications.</small>	
ZCL[®] COMPOSITES INC.	
TITLE DOUBLE-WALL HOSPITAL EMERGENCY DECONTAMINATION WATER STORAGE TANK	
DATE 9-14	DR. NO. Z20-314-00